

WEBER ENGINEERING SERVICES
 Where Strong Relationships & Superior Service Guide Your Project

2555 Hartville Rd., Suite B
 Rootstown, OH 44272
 www.WeberEngineeringServices.com
 330-329-2037
 matt@webercivil.com

STATE OF OHIO
 MATTHEW WEBER
 61709
 REGISTERED PROFESSIONAL ENGINEER

Reg. No.: 61709

CLIENT:

PAYTO Architects
 405 THE BRADLEY BUILDING
 1220 WEST SIXTH STREET
 CLEVELAND, OHIO 44113

OWNER:

TWO WESTLAKE LLC
 853 N. ELSTON AVE.
 CHICAGO, IL
 60642

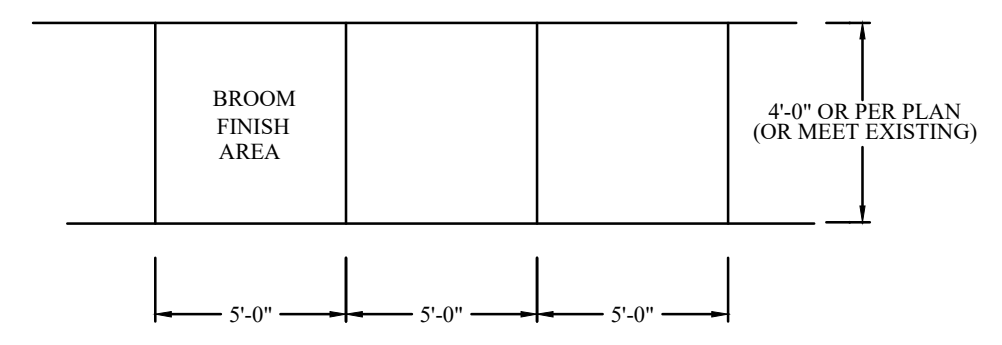
Issue Date

06-03-2025
 07-24-2025
 09-19-2025
 10-02-2025
 10-20-2025

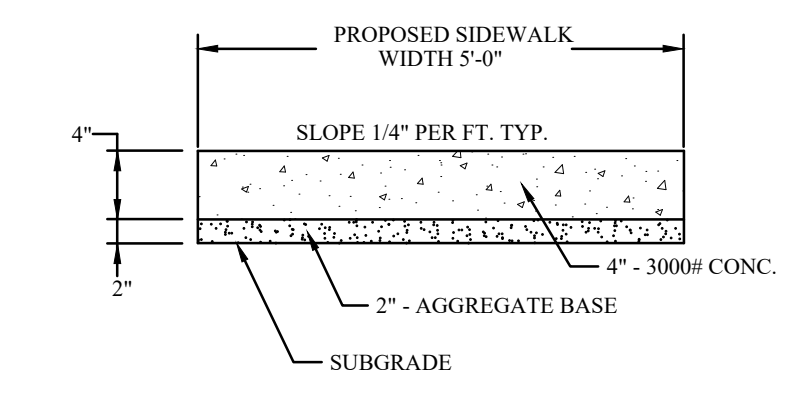
LaCENTRE
 BUILDING ADDITION
 25689 DETROIT ROAD, WESTLAKE, OHIO

SITE DETAILS

C105
 Project No. 2024-308

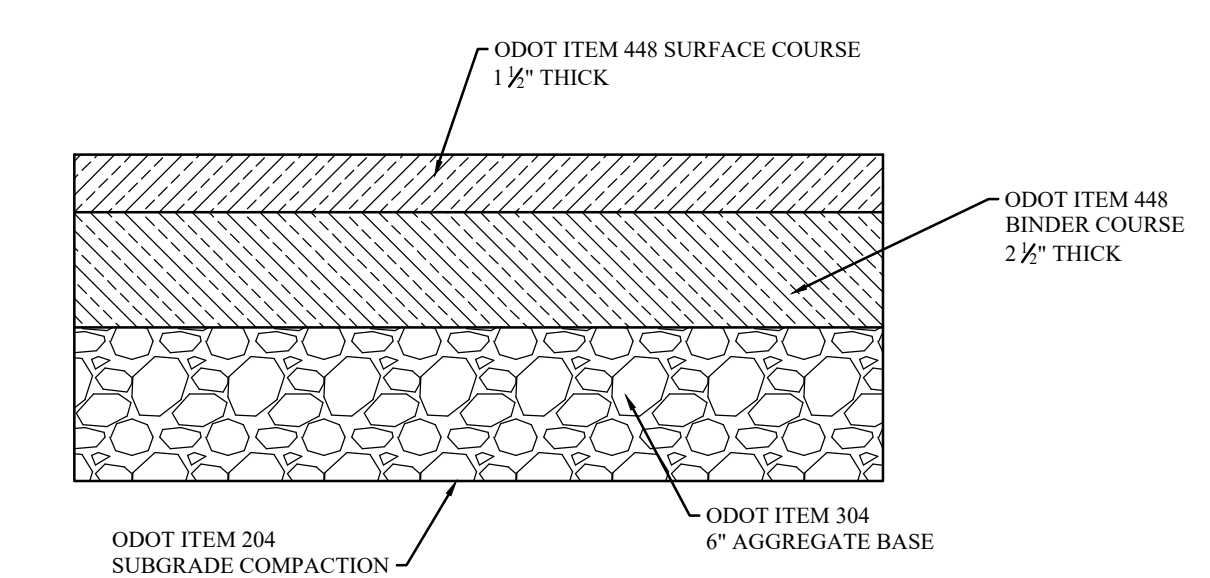


CONCRETE SIDEWALK FINISH AND JOINTS
 REFERENCE ONLY NOT TO SCALE

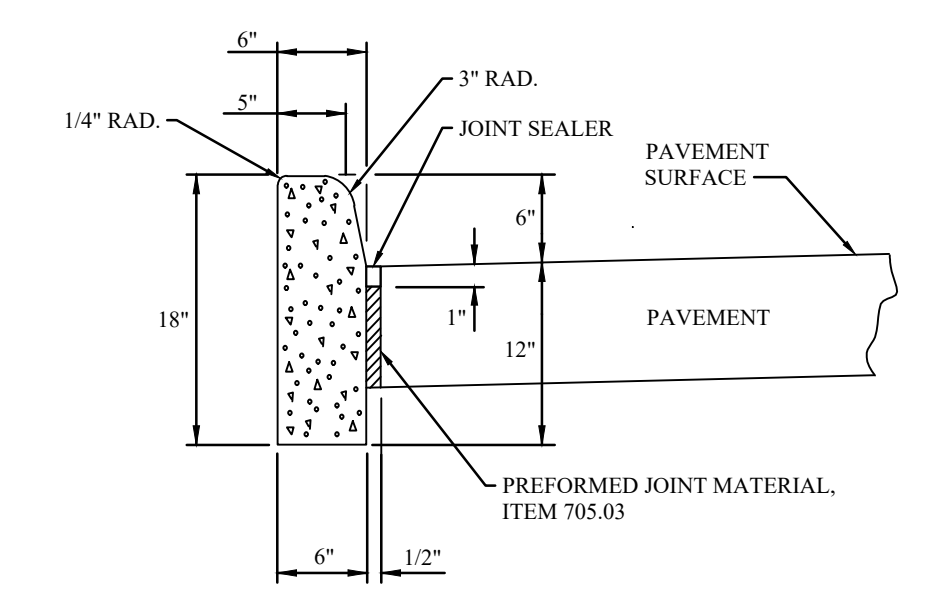


NOTE:
 CRACK CONTROL SHALL BE AT FIFTEEN FOOT (15') INTERVALS AND SCORE MARKS SHALL BE AT FIVE FOOT (5') INTERVALS. CONSTRUCTION SHALL BE IN ACCORDANCE WITH ODOT ITEM 608. PRIOR TO THE START OF SIDEWALK CONSTRUCTION THE SUBGRADE MUST BE INSPECTED AND APPROVED BY THE OWNERS REPRESENTATIVE. ANY SETTLEMENT OR DEFICIENT AREAS IDENTIFIED BY THE OWNERS REPRESENTATIVE SHALL BE REPAIRED BY A METHOD ACCEPTABLE TO THE OWNER. THE REPAIRED AREAS WILL BE SUBJECT TO COMPACTION TESTING AND APPROVAL BY THE OWNER PRIOR TO THE START OF SIDEWALK CONSTRUCTION.

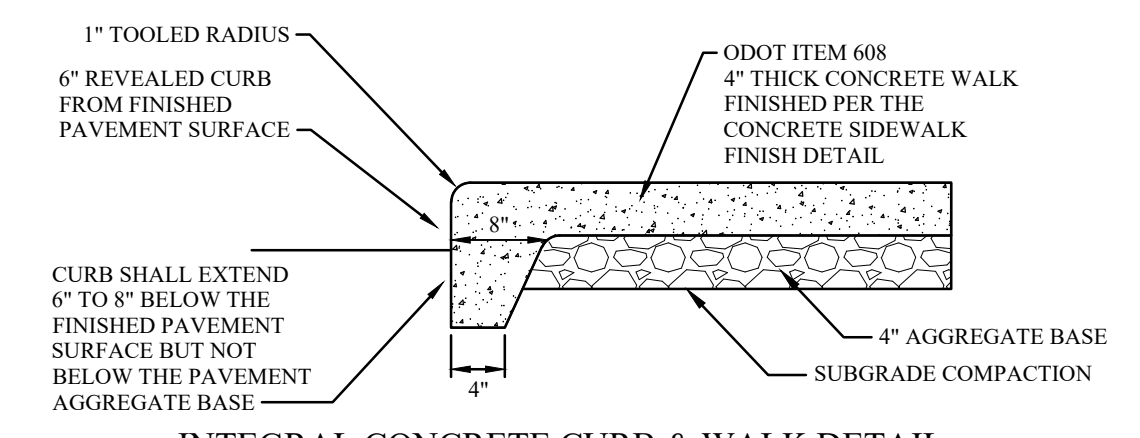
CONCRETE SIDEWALK
 REFERENCE ONLY NOT TO SCALE



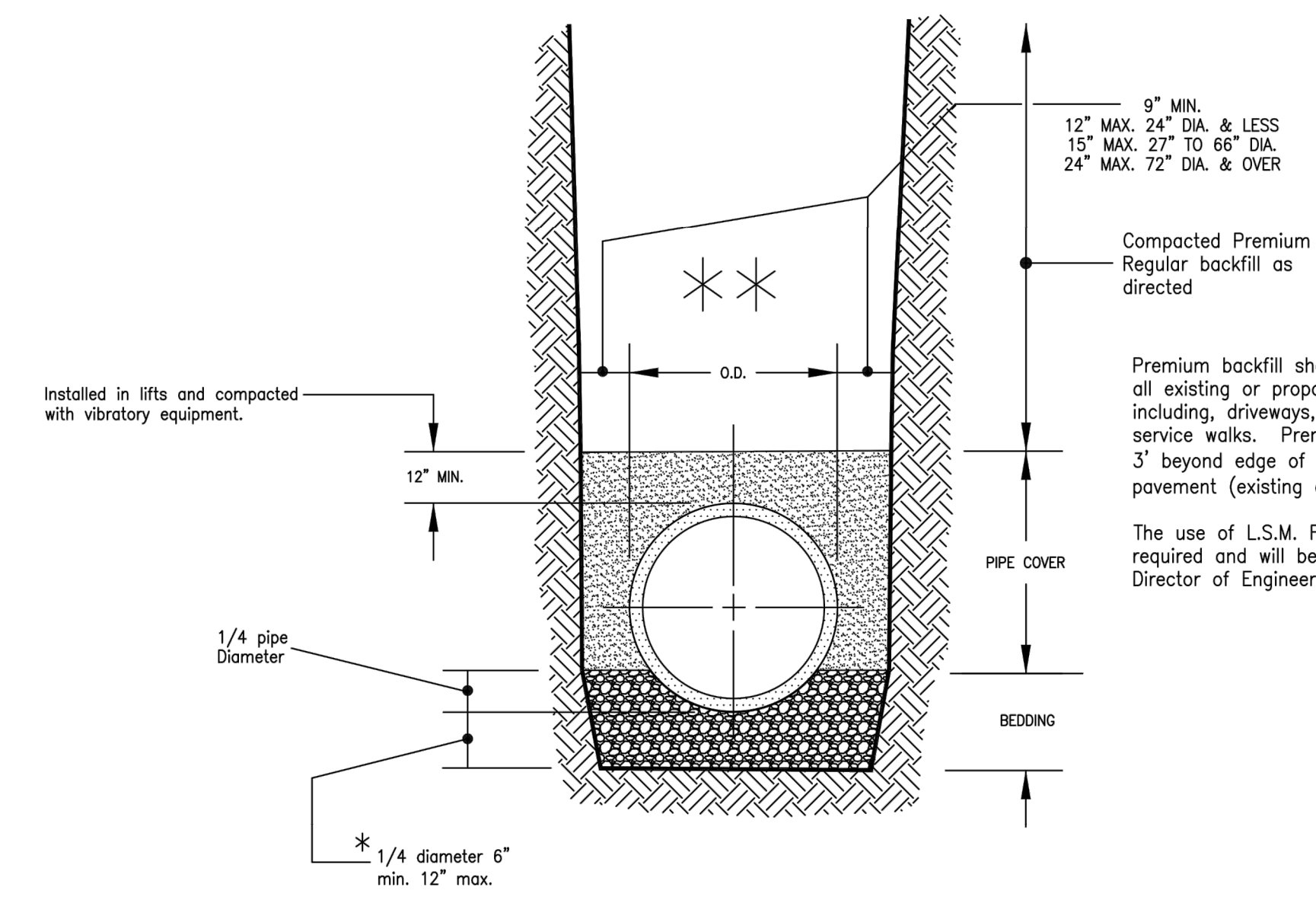
PROP. REGULAR DUTY ASPHALT PAVEMENT
 REFERENCE ONLY NOT TO SCALE
 (CONTRACTOR SHALL VERIFY WITH CURRENT GEOTECHNICAL REPORT)



ODOT TYPE 6 CONCRETE CURB
 REFERENCE ONLY NOT TO SCALE



INTEGRAL CONCRETE CURB & WALK DETAIL
 REFERENCE ONLY NOT TO SCALE



TYPICAL TRENCH DETAIL
 MAINLINE AND LATERALS

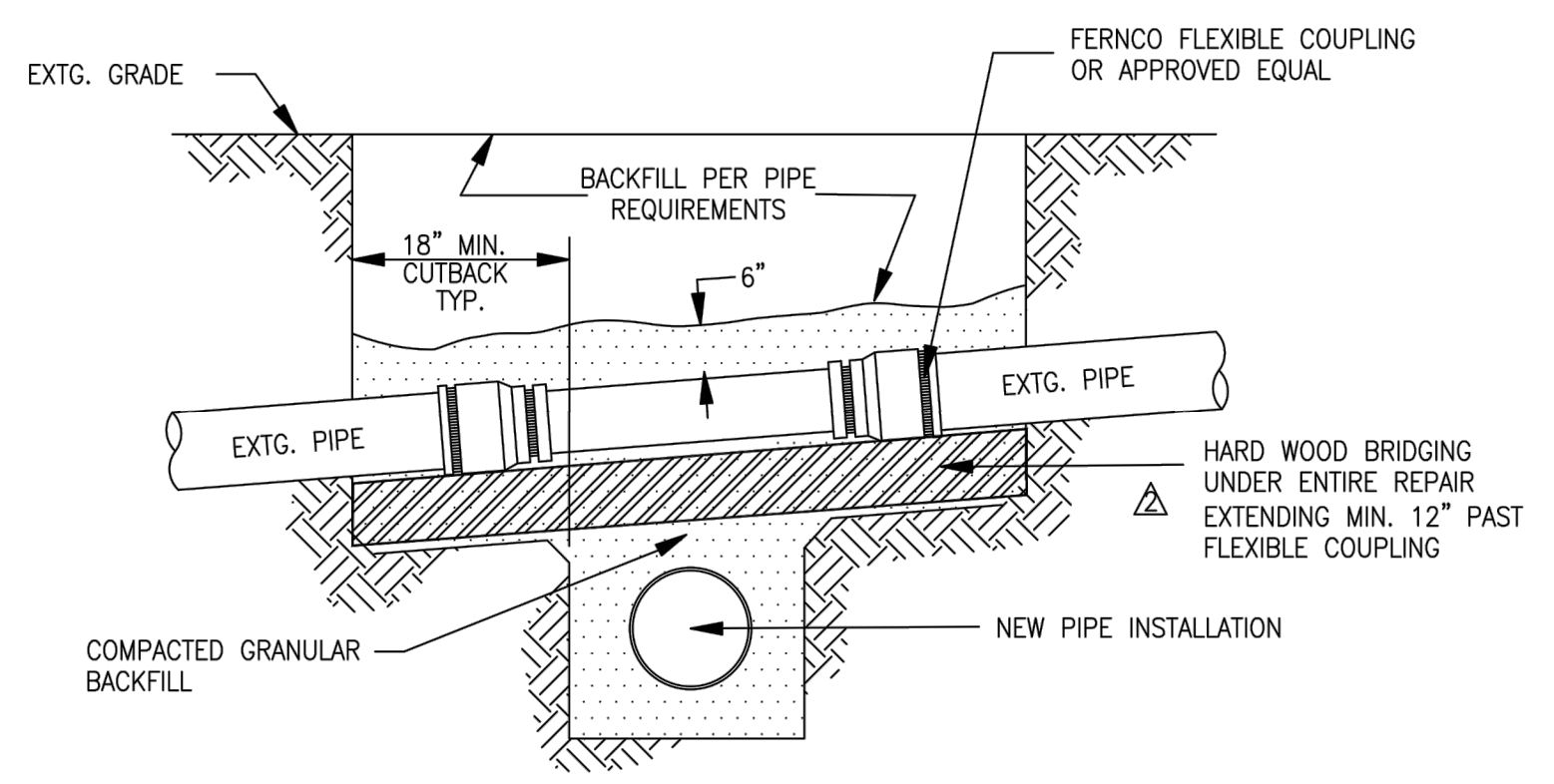
Premium backfill shall consist of course interlocking aggregate O.D.O.T. #304 and #57.
 Pipe cover shall consist of course interlocking aggregate #57, #5 and #8 (lateral connections only).
 Bedding shall consist of course interlocking aggregate #57, or #8 for 60" or smaller diameter pipe, for 66" or larger diameter pipe #4, #57 and #8 aggregate may also be used.

All Material substitutions must be approved by the City Engineer.
D.J.P Fire and Water line bedding and cover to be sand in accordance with the City Of Cleveland Water Department Construction Standards
P.V.C Fire and Water line bedding and cover to be #57 lime stone per in accordance with the City Of Westlake Construction Standards
The use of slag is prohibited.

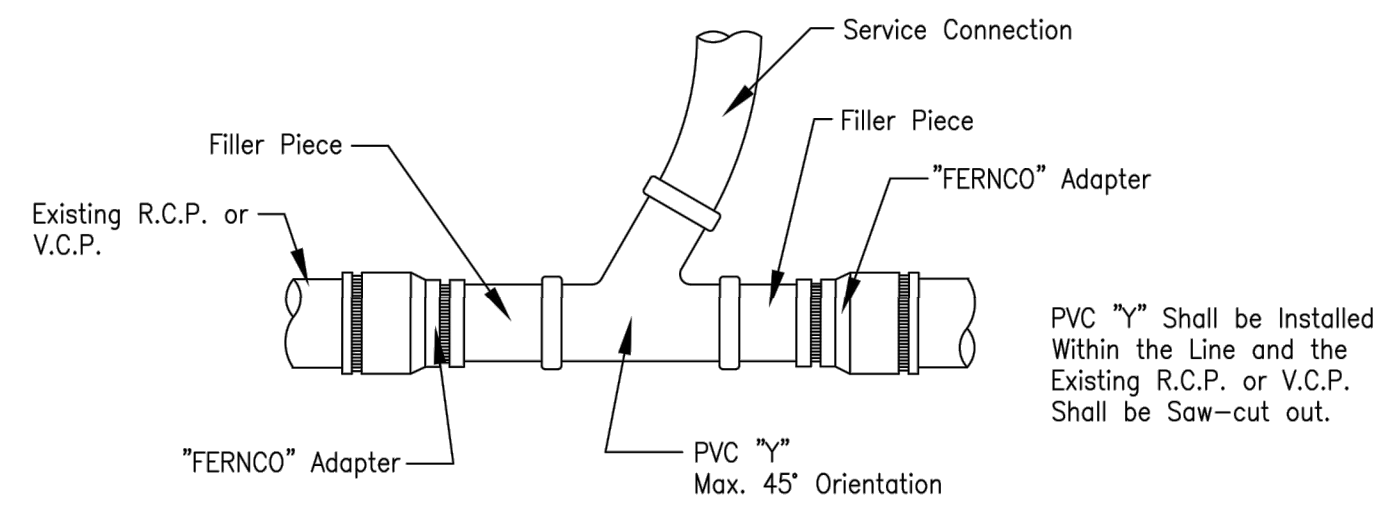
**** Low Strength Mortar Backfill**
 When the use of flowable fill is directed by the Engineer within the limits of the pavement, the material used shall be Low Strength Mortar Backfill, TYPE 2 per current O.D.O.T. Construction and Material Specifications, except as modified herein.
The use of Foundry Sand is strictly prohibited.
 The contractor is required to submit a mix design, for City Approval, a minimum of 48 hours prior to the installation of the backfill.

Notes:
 * Lateral connections to have a minimum bedding depth of 3" course aggregate.
 A clay dam shall be installed as directed by the City of Westlake inspector for all sanitary and storm connections.

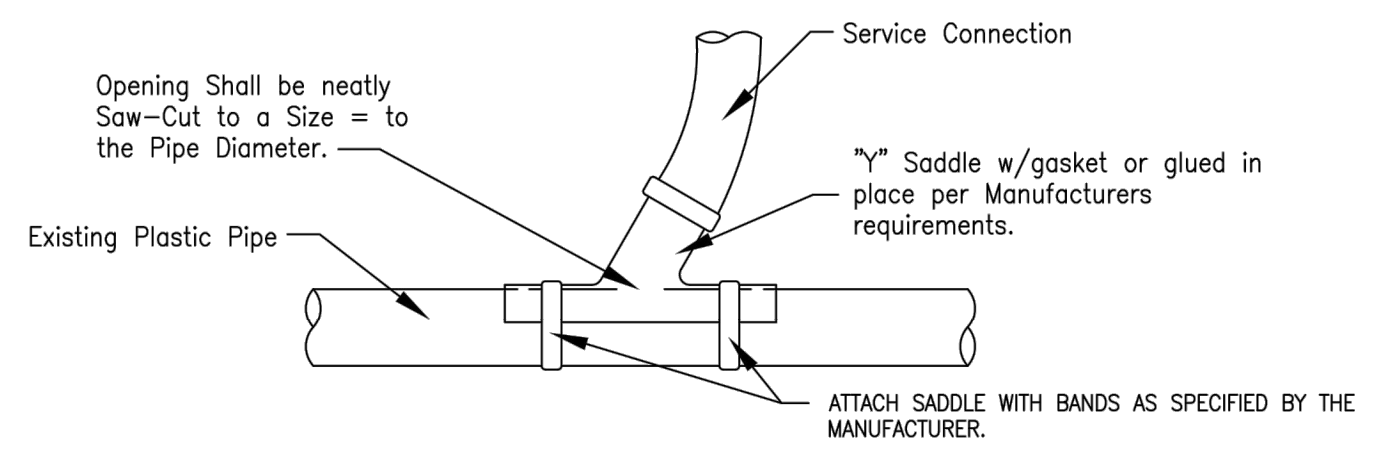
3	1/18/19	MAC	General Revisions (Re-Issue)
2	8/12	DHJ	General Revisions (Re-Issue)
1	2/17/04	DHJ	General Revisions (Re-Issue)
REV. NO.	DATE	BY	DESCRIPTION
CITY OF WESTLAKE, OHIO DEPARTMENT OF ENGINEERING			
TYPICAL TRENCH DETAILS			
SCALE:	AS NOTED		
DATE:	DRWN BY:		
			6



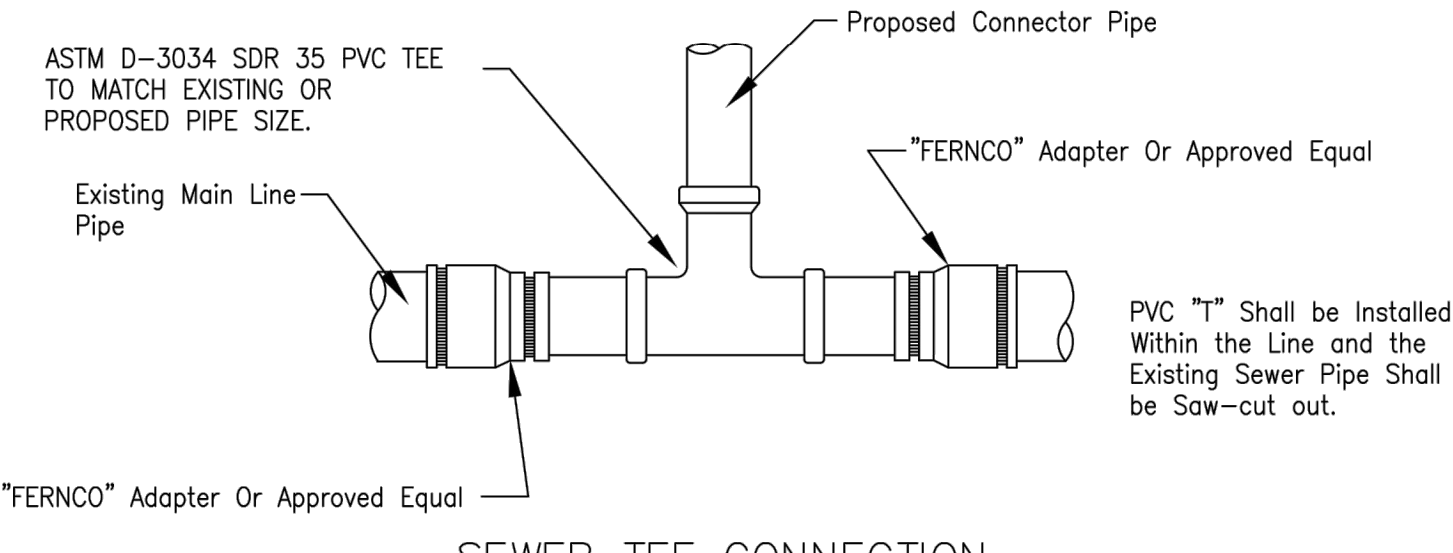
DAMAGED CONNECTION REPLACEMENT
 REPAIRS ACROSS THE TRENCH REQUIRE THAT THE COUPLINGS ARE SUPPORTED ON UNDISTURBED EARTH AS NOTED.
 REPLACEMENT PIPE TO BE PER CONTRACT REQUIREMENTS AND PLACED ON MECHANICALLY COMPACTED GRANULAR MATERIAL.



DETAIL FOR R.C.P. & V.C.P.



DETAIL FOR PLASTIC PIPE



SEWER TEE CONNECTION
 WHERE THE INSTALLATION OF A CONNECTION TO AN EXISTING SEWER WILL NOT PERMIT THE USE OF A KOR-N-TEE.

NOTE:
 Detail for Kor-N-Tee
 See City of Westlake Standard Construction Detail Sheet #6.
 Use of Kor-N-Tee may be authorized by the Director of Engineering.

2	1/18/19	MAC	Damaged Connection Support (Re-Issue)
1	3/4/04	DHJ	General Revisions - New Detail
REV. NO.	DATE	BY	DESCRIPTION
CITY OF WESTLAKE, OHIO DEPARTMENT OF ENGINEERING			
DETAIL PIPE TAPPING / REPAIR			
SCALE:	AS NOTED		
DATE:	DRWN BY:		
			5

X:\Cadd\wings\Const. In\kask\Cour-2024-005
 C:\Users\Matthew.Weber\Desktop\Working Folder\2024-2024-308\LaCentre\2024-2024-308\Site01.Dwg 10/20/2025 12:30:05 PM
 const_details.dwg 4/29/2020 10:34:06 AM EDT