

B BLADE SIGN ILLUM. - ELEVATION
Scale: 1 1/2" = 1' - 0"



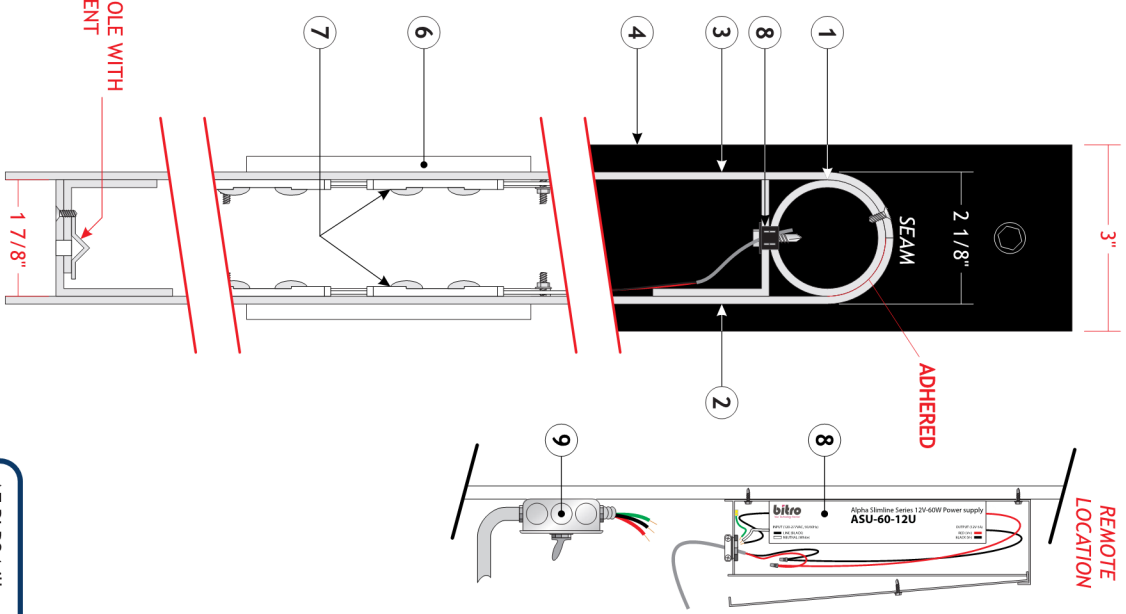
TOTAL - 6 SF

8'-0" MIN

SIGN - DETAILS

- 1 1 7/8" DIAMETER ALUMINUM PIPE PAINTED TO MATCH RAL 9005 - SATIN BLACK. ALUMINUM PIPE IS WELDED TO ALUMINUM MOUNTING PLATE.
- 2 1/8" THICK ROUTED ALUMINUM PANEL ROLLED AT TOP TO MOUNT FLUSH TO 1 7/8" DIAMETER PIPE. 1 7/8" X 1 7/8" ANGLED ALUMINUM WELDED TO INTERIOR SIDE OF PANEL. ALUMINUM PANEL IS MOUNTED TO PIPE WITH SCREWS THROUGH ANGLED ALUMINUM AND PIPE AND ADHESIVE ALONG TOP OF PIPE. ALUMINUM PANEL IS PAINTED TO MATCH RAL 9005 - SATIN BLACK.
- 3 1/8" THICK ROUTED ALUMINUM PANEL ROLLED AT TOP TO MOUNT FLUSH TO 1 7/8" DIAMETER PIPE. 1 1/2" X 1 1/2" ANGLES ALUMINUM WELDED TO INTERIOR SIDE OF PANEL. ALUMINUM PANEL IS MOUNTED TO PIPE WITH COUNTERSINK SCREWS ALONG TOP AND ALONG BOTTOM THROUGH ANGLED ALUMINUM. ALUMINUM PANEL IS PAINTED TO MATCH RAL 9005 - SATIN BLACK. THIS PANEL IS REMOVABLE FOR SERVICING.
- 4 3/8" ALUMINUM MOUNTING PLATE. PAINTED TO MATCH RAL 9005 - SATIN BLACK. MOUNTED FLUSH TO WALL WITH APPROPRIATE FASTENERS FOR WALL CONDITIONS.
- 5 PVC PIPE CAP, PAINTED TO MATCH ALUMINUM TUBE.
- 6 1/2" THICK WHITE 2447 ACRYLIC PUSH-THRU LETTERS MOUNTED TO ALUMINUM PANELS WITH STUDS AND FASTENED WITH NUTS ON THE INTERIOR SIDES.
- 7 PRINCIPAL QWIK, MODE 2. 3500K LED UNITS MOUNTED AROUND WORDS TO ILLUMINATE LETTERS.
- 8 HEVCO BUSHING FOR LOW VOLTAGE PASS-THRU TO BITRO ASU-60-12U LED DRIVER (120-277 VOLT) PLACED IN PAIGE 980054C SNAP 2 ENCLOSURE.
- 9 DEDICATED PRIMARY SIGN CIRCUIT AND DISCONNECT PROVIDED BY ELECTRICIAN.

BLADE SIGN ILLUM. - SECTION
Scale: 1" = 0' - 2"



DRAIN HOLE WITH LIGHT TENT

AF BLD24 illum



Ruggles SIGN
93 Industry Drive
PO Box 349
Versailles, KY 40383
859.879.1199



Abercrombie & Fitch

6301 FITCH PATH
NEW ALBANY, OH 43054

This sign is intended to be installed in accordance with the requirements of Article 600 of the National Electrical Code and/or other applicable local codes. This includes proper grounding and bonding of the sign.

RUGGLES SIGN DOES NOT PROVIDE PRIMARY ELECTRICAL TO SIGN LOCATION!
Suitable for Wet Locations
UL label located on top of signs

Submital Date: 12/10/21
Acct Rep: John Burns
Designer: Fred Burch V

REVISIONS

r1:	12/17/21 JB	r7:	02/24/23
r2:	01/21/22	r8:	09/20/23
r3:	04/05/22 JB	r9:	
r4:	04/19/22	r10:	
r5:	04/27/22	r11:	
r6:	05/13/22	r12:	

PAGE: 4